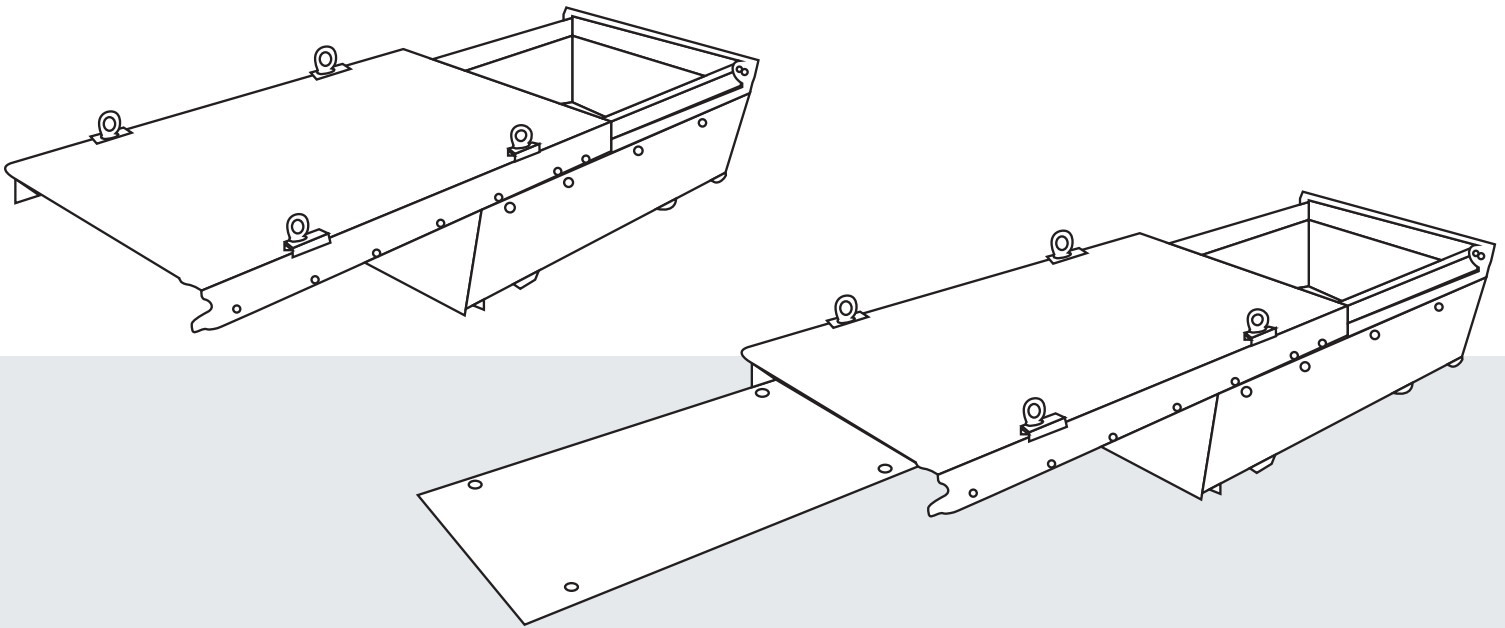




Cargo Box With Working Station and Slide Out Drawer & Cargo Box with Slide Out Drawer Instructions



**CAREFULLY READ INSTRUCTIONS PRIOR
TO THE FIRST USE OF THE CARGO BOXES
WITH SLIDE OUT AND WORKING STATION**

GET TO KNOW YOUR CARGO BOX

We recommend you check all parts are included prior to first use.

COMPONENTS NEEDED

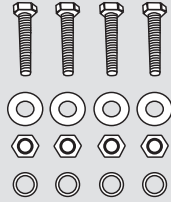
Mounting Kit

4x M10 x 55mm bolts

4x M10 washers

4x M10 nylon nuts

4x M10 spring washers



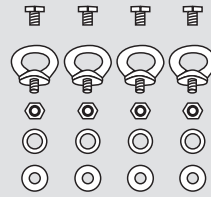
Tie Down Kit

4x M8 x 12mm bolts

4x Tie down rings

4x M8 nylon washers

4x M8 washers



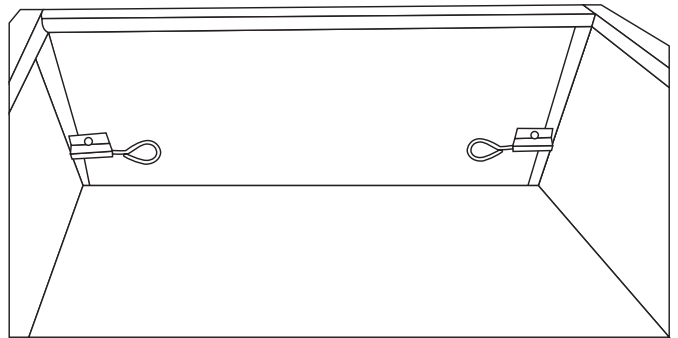
For stacking drawers together

1

Before use, please ensure that the bolts inside the drawer are screwed out to ensure that your drawer will stop on the bumpers in the casing.

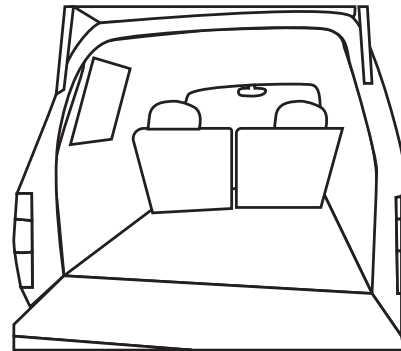
You will need to pull the bolt back to be able to turn it anti-clockwise for it to move.

NOTE: The weight ratings for the drawer tub and slide are 60kg each and the cutting board 15kg.



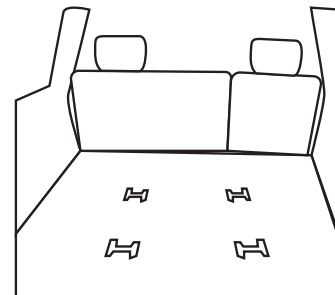
2

Before installing the drawer, please check the car owner's handbook or the rear base of your vehicle for anchor point location.



3

If available, use the chair anchor points to bolt the drawer onto your car.



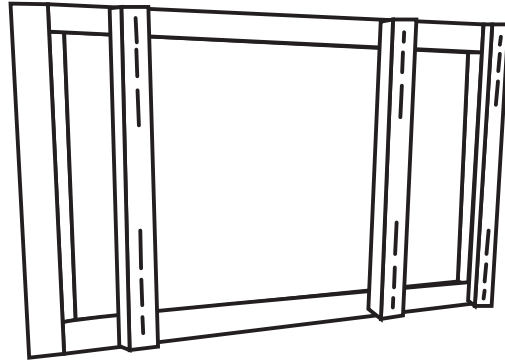
Cargo Box with Slide Out Drawer

21010201 Cargo Box with Slide Out Drawer & Working Station
21010301 Cargo Box with Slide Out Drawer

SET-UP & CARE INSTRUCTIONS

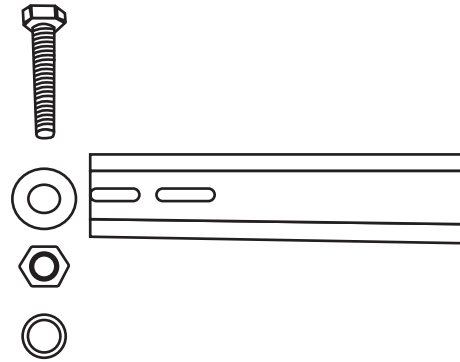
4

Check carefully the size between the chair mounting points and compare with the mounting rail at the bottom of the drawer. Move mounting rail to desired right position.



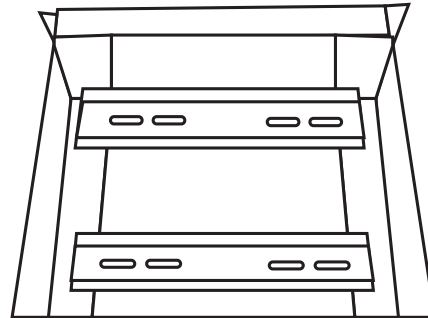
5

Use the M10 bolts, nuts and washers from mounting kit to bolt drawer. Some vehicles may require longer or shorter bolts. Please check your owners handbook or contact your local vehicle dealer if unable to locate or no anchor points available.



6

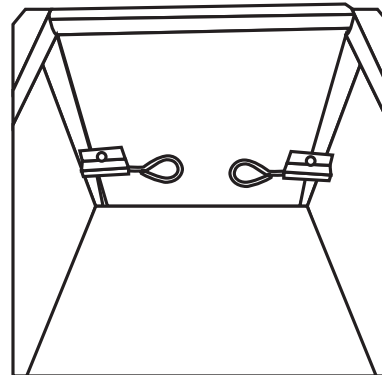
To access the bottom mounting rail easily, slide out the top panel and carefully pull out the drawer tub.



7

Release the two latches at the rear of the drawer for ease of removal. They need to be tightened if the draw comes loose or out of the casing.

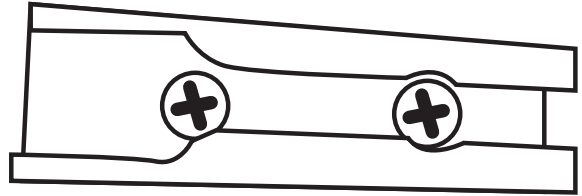
NOTE: Check the anchor points regularly to ensure drawer is securely attached. Do not anchor child restraints to the drawer.



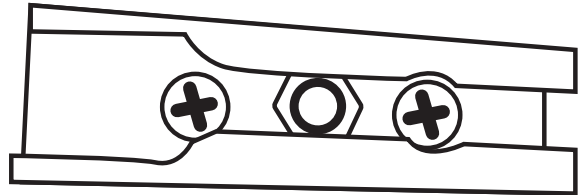
STACKABLE VERTICAL DRAWER OPTION

The universal design allows drawers to be stacked on top of one another. Use the M8 bolts and washers/nuts provided and follow the steps below:

1.



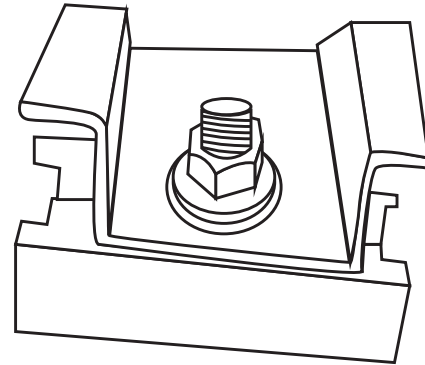
2.



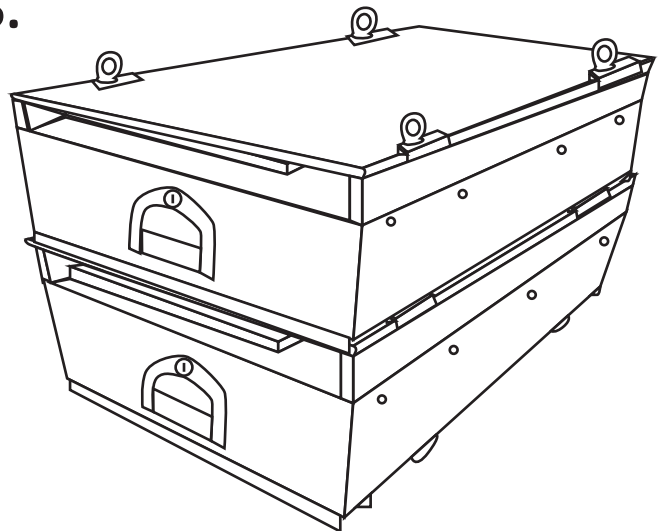
3.



4.



5.

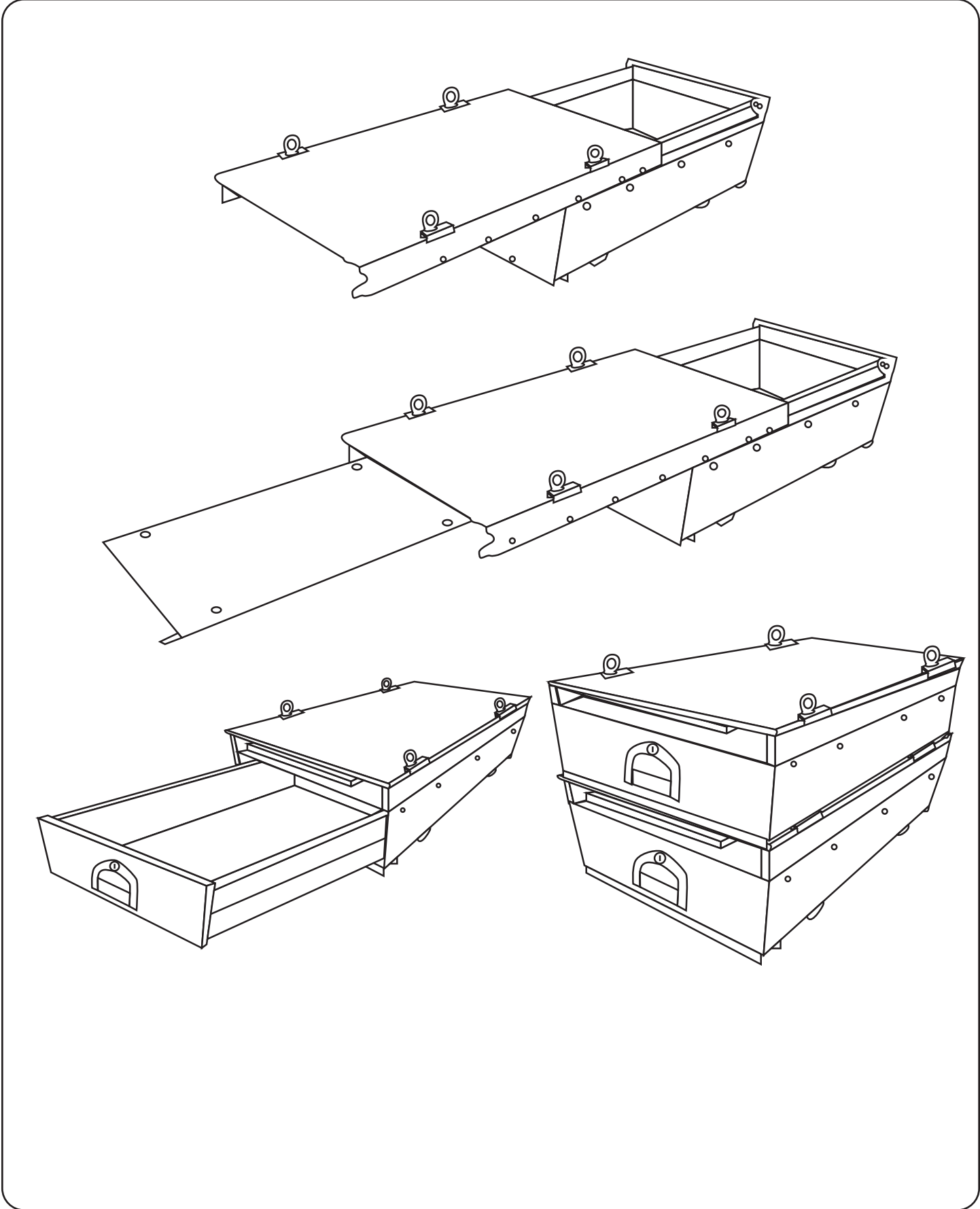


Cargo Box with Slide Out Drawer

21010201 Cargo Box with Slide Out Drawer & Working Station
21010301 Cargo Box with Slide Out Drawer

SET-UP & CARE INSTRUCTIONS

OPTIONAL CONFIGURATIONS



Cargo Box With Slide Out Drawer

JUNE 2024

SET-UP & CARE INSTRUCTIONS

CLEANING

Materials Needed:

- Mild dish soap or automotive soap
- Warm water
- Soft cloth or sponge
- Soft-bristle brush (if needed)
- Hose or bucket
- Microfiber cloth
- Optional: Car wax or polish for powder-coated surfaces

Steps:

- Rinse: Use clean water to remove loose dirt.
- Wash: Mix soap with warm water. Gently scrub with a soft cloth or sponge.
- Rinse: Thoroughly rinse off all soap.
- Dry: Use a microfiber cloth to dry.
- Optional: Apply wax or polish for extra shine and protection.

Tips:

- Avoid abrasive cleaners and harsh chemicals.
- Clean regularly to maintain appearance.

STORING

1. Clean and dry the cargo box
2. Store in a cool, dry place

WARNINGS

- **READ AND COMPREHEND ALL WARNINGS PRIOR TO INSTALLATION**
- **FAILURE TO FOLLOW THE INSTRUCTIONS AND HEED THE WARNINGS OF THIS DOCUMENT MAY RESULT IN BODILY HARM, DAMAGE TO VEHICLE, OR PROPERTY OR VOIDANCE OF THE PRODUCT WARRANTY**
- **YOU ARE PERSONALLY RESPONSIBLE FOR FOLLOWING SAFE INSTALLATION PROCEDURES AND COMPLETING APPROPRIATE SAFETY CHECKS**
- **DUE TO THE VARIETY OF INSTALLATION APPLICATIONS, MOUNTING CLEARANCES, AND SURFACE MATERIALS, A GENERIC HARDWARE PACK IS SUPPLIED FOR CONVENIENCE. IT IS AT THE DISCRETION OF THE INSTALLER TO CHOOSE THE HARDWARE PACK IS SUPPLIED FOR CONVENIENCE. IT IS AT THE DISCRETION OF THE INSTALLER TO CHOOSE THE HARDWARE THAT BEST SUITS SPECIFIC NEEDS. OVERLAND VEHICLE SYSTEMS DOES NOT TAKE OWNERSHIP OF ANY WRONGLY INSTALLED TRAYS OR DAMAGE THAT MAY RESULT FROM A WRONGLY INSTALLED TRAY.**
- **SOME OF THE LARGER DRAWERS WOULD BEST BE HANDLED BY TWO PEOPLE, SO AS NOT TO CAUSE INJURY TO YOUR PERSON.**
- **DANGER OF EXPLOSION. DO NOT USE THIS PRODUCT FOR STORING OR TRANSPORTING FLAMMABLES, EXPLOSIVES, HAZARDOUS MATERIALS, OR HAZARDOUS WASTE, SUCH AS CONTAINERS OF GASOLINE, SOLVENTS, GUN POWDER, DYNAMITE, PROPANE TANKS, ACETYLENE TANKS AND CUTTING TORCHES. THIS PRODUCT IS ONLY INTENDED AND SAFE FOR USE IN STORING AND TRANSPORTING SMALL TOOLS, EQUIPMENT AND OTHER SIMILAR MATERIALS. ANY MODIFICATIONS MADE TO, OR UNINTENDED USE OF THIS PRODUCT, COULD CREATE A HAZARDOUS CONDITION THAT CAN CAUSE DEATH, SERIOUS PERSONAL INJURY OR PROPERTY DAMAGE.**



DO YOU NEED OUR HELP?



CUSTOMER SUPPORT 833-226-4863



SALES@OVERLANDVEHICLESYSTEMS.COM

WANT TO SHOW US YOUR RIG?
CHECK OUT OUR SOCIAL!

@overlandvehiclesystems

